

SI-610 Datasheet Trade

10 Year Ionisation Smoke Alarm

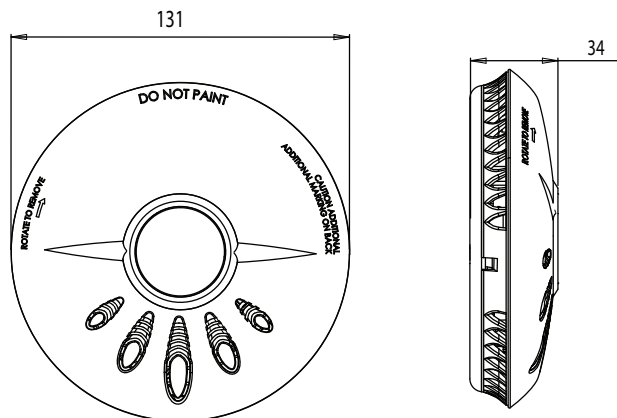
A.K.A. 10 Year Life Smoke Alarm

GN0221/R1

Product Image



Product Dimensions (mm)



Model Number	SI-610
Retail Description	N/A
Retail EAN Number	N/A
Retail Packaging Format	N/A
Retail Packaging Dimensions WxHxD	N/A
Retail Packaging Weight	N/A
Retail SRP Quantity	N/A

Alert Type	Loud 85dB Alarm at 3 metres + red flashing LED
Operating Temperature	+4°C to +38°C
Operating Humidity	Up to 90% RH non-condensing
Installation Positions	Ceiling / Wall
Approvals	Certified to BS EN 14604:2005
Additional Testing	Approved for use in leisure and accommodation vehicles

Trade Description	10 Year Ionisation Smoke Alarm
Trade EAN Number	0816317000530
Trade Packaging Format	Recycled Cardboard Box
Trade Packaging Dimensions WxHxD	134mm x 134mm x 41mm
Trade Packaging Weight	239g (including alarm, manual and fixings)
Trade Outer Box Quantity	20

Health & Safety Information	
Storage Temperature	-20°C to +60°C
Storage Humidity	Up to 93% RH non-condensing
Storage Licensing Requirement	N/A
Isotope Activity	N/A
Storage Licensing Requirement	To store 500+ alarms in one location
Isotope Activity	29.6 kBq (1.0 microcurie)

Warranty	10 years
Technology	Sensor: Ionisation
Operation AC/DC	DC
Battery Type	Non-removable integrated lithium power pack - 10 year life in normal operating conditions
Product Weight	195g (including power pack)



FireAngel®

FireAngel Ltd.
Vanguard Centre, Sir William Lyons Road
Coventry, CV4 7EZ, United Kingdom

Tel: +44 (0)24 7771 7700
Fax: +44 (0)24 7669 3610
Web: www.fireangel.co.uk